

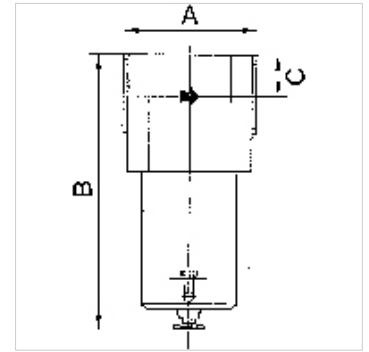
K-FI H ABBLV BIS 40BAR

Filters for high pressures up to 40 bar

HANSA FLEX

Properties

Input pressure	Max. 40 bar
Media temperature	max. 60 °C
Ambient temperature	Max. 90 °C
Pore size in filter element	40 µm
Housing	Aluminium
Condensate container	Brass (G 3/8 to G 1). Alu (G 1 1/2 to G 2)
Flow rate measurement	At P2 = 6 bar and pressure drop $\Delta p = 1$ bar



Note

Further information on request

Description

Centrifugal separators with a sintered filter element.

Item

Identification	Thread	Flow rate (L/min)	A (mm)	B	C (mm)
K- 07 25 06 11	G 3/8	2650	73,0	194.0 mm	32,5
K- 07 25 06 12	G 1/2	2650	65,0	194.0 mm	32,5
K- 07 25 06 13	G 3/4	3350	92,0	205.0 mm	40,0
K- 07 25 06 14	G 1	3350	80,0	205.0 mm	40,0
K- 07 25 06 15	G 1 1/2	20000	160,0	284.0 mm	42,5
K- 07 25 06 16	G 2	20000	140,0	284.0 mm	42,5

Spare parts

K-DICHTKEGEL KOMPL	Cone seal complete
K-FILTERELEMENT	Filter element
K-RD NIPPEL KURZ 1	Reducing nipples, short type
K-XV AGM 2	Double nipples, parallel male thread