

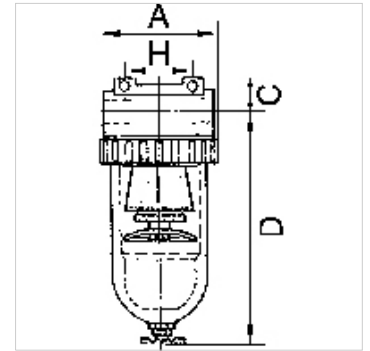
K-FI SPEZI PC-BEHÄLTER H STANDARD

Special filters with polycarbonate bowl, with semi-automatic drain valve to G 1/2 and manual drain valve from G 3/4

HANSA FLEX

Properties

Input pressure	Max. 16 bar (polycarbonate bowl / bowl guard), Max. 25 bar (metal bowl)
Media temperature	max. 50 °C
Ambient temperature	Max. 50 °C
Efficiency	99.999 %
Pore size in filter element	0.01 µm
Housing	Die-cast zinc, painted silver
Flow rate measurement	At P2 = 6 bar and pressure drop $\Delta p = 1$ bar



Note

Further information on request

Description

For all applications with particularly strict compressed air purity requirements. The separating efficiency of these filters permits very fine oil vapour particles and micro-fine suspended particles to be filtered. A standard filter should always be connected upstream to trap coarse impurities and protect the micro-filter inserts.

Item

Identification	Thread	Flow rate (L/min)	A (mm)	C (mm)	D (mm)	H (mm)	DN
K- 07 25 10 76	G 3/8	380	48,0	14,0	131,6	38,0	6
K- 07 25 10 83	G 3/4	7000	133,0	36,0	206,0	134,0	20
K- 07 25 10 86	G 1	7000	133,0	36,0	206,0	120,0	25

Spare parts

K-HALTERBAUSATZ STANDARD	Holder
K-FILTERELEMENT STANDARD	Filter element
K-SCHUTZKORB G	Protective cage
K-XV AGM MS NI	Double nipples, parallel male thread, nickel- plated brass
K-LOESBARE DOPPELNIPPEL MS	Double nipples