

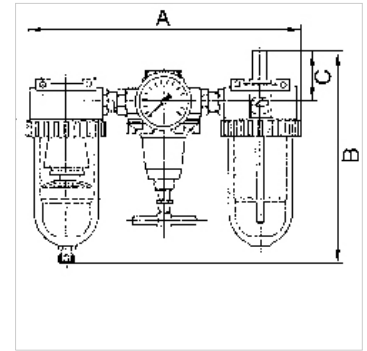
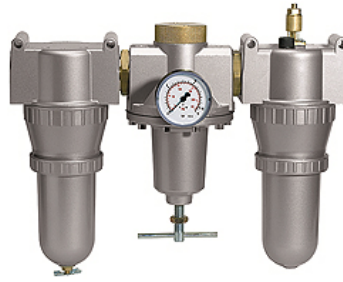
K-WTEH 3-TLG MET M ABLV TRO STANDARD

Service units with metal bowl and manual drain valve, metal sight dome

HANSA FLEX

Properties

| | |
|------------------------------------|---|
| Input pressure | Max. 16 bar (polycarbonate bowl / bowl guard), Max. 25 bar (metal bowl) |
| Control range | 0.5 to 10 bar (polycarbonate bowl / bowl guard) 0.5 to 16 bar (metal bowl) |
| Media temperature | max. 60 °C |
| Ambient temperature | Max. 60 °C |
| Pore size in filter element | 5 µm (G 1/4 / G 3/8 / G 1/2), 40 µm (G 3/8 / G 3/4 / G 1 / G 1 1/4 / G 1 1/2) |
| Sealant | NBR |
| Housing | Die-cast zinc / Aluminium, painted silver |
| Dropper | PA (polycarbonate bowl), Zinc-glass-NBR (metal bowl) |
| Flow rate measurement | At P1 = 8 bar, P2 = 6 bar and pressure drop Δp = 1 bar |
| More information | User manual on request |



Description

Three-piece service units consisting of a reversible diaphragm pressure regulator, independent of inlet pressure, with self-relieving design, centrifugal separator and proportional lubricator.

Item

| Identification | Thread | Flow rate (L/min) | A (mm) | B | C (mm) | DN | Ø pressure gauge |
|----------------|---------|-------------------|--------|----------|--------|----|------------------|
| K- 07 25 14 50 | G 1/4 | 600 | 172,0 | 184.5 mm | 51,0 | 6 | 50 |
| K- 07 25 14 57 | G 3/8 | 600 | 185,0 | 184.5 mm | 51,0 | 6 | 50 |
| K- 07 25 14 60 | G 3/8 | 1400 | 232,0 | 210.0 mm | 51,0 | 6 | 50 |
| K- 07 25 14 63 | G 1/2 | 3200 | 259,0 | 226.0 mm | 55,0 | 15 | 63 |
| K- 07 25 14 66 | G 3/4 | 3200 | 302,0 | 230.5 mm | 58,0 | 20 | 63 |
| K- 07 25 14 69 | G 1 | 3200 | 302,0 | 230.5 mm | 58,0 | 25 | 63 |
| K- 07 25 14 72 | G 1 1/4 | 5000 | 395,0 | 316.0 mm | 70,0 | 25 | 63 |
| K- 07 25 14 75 | G 1 1/2 | 5000 | 395,0 | 316.0 mm | 70,0 | 35 | 63 |

Spare parts

| | |
|----------------------------|---|
| K-HALTERBAUSATZ STANDARD | Holder |
| K-SCHUTZKORB G | Protective cage |
| K-VERSCHLEI-SATZ | Set of wearing parts |
| K-FILTERELEMENT | Filter element |
| K-TROPFAUFSATZ POLYCARBO | Drip attachment polycarbonate |
| K-LOESBARE DOPPELNIPPEL MS | Double nipples |
| K-XV AGM MS NI | Double nipples, parallel male thread, nickel-plated brass |
| K-RD NIPPEL MS NI | Reducing nipples - nickel-plated brass |
| K-TROPFAUFSATZ METALL | Drip attachment metal |
| K-ABLASSVENTIL AUTO | Fully-automatic drain valve with Adapter G 1/8 |
| K-AUTOMAT ABLASSVENTIL | Automatic drain valve |