

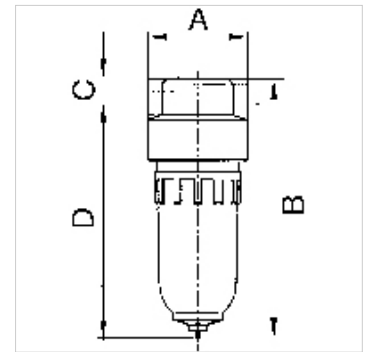
K-FI METALLBEHAELTER STANDARD-MINI

Filters with metal bowl

HANSA FLEX

Properties

| | |
|------------------------------------|--|
| Input pressure | Max. 16 bar (polycarbonate bowl), Max. 25 bar (metal bowl) |
| Media temperature | max. 60 °C |
| Ambient temperature | Max. 60 °C |
| Flow rate | 800 l/min |
| Pore size in filter element | 8 µm |
| Sealant | NBR |
| Housing | Die-cast zinc, painted silver |
| Drain valve | Semi-automatic for variant with polycarbonate bowl, Manual for variant with metal bowl |
| Flow rate measurement | At P2 = 6 bar and pressure drop $\Delta p = 1$ bar |
| More information | User manual on request |



Description

Centrifugal separators with a sintered filter element. Compact design.

Item

| Identification | Thread | A (mm) | B | C (mm) | D (mm) | DN |
|----------------|--------|-----------|----------|-----------|-----------|----|
| K- 07 25 05 83 | G 1/8 | 40,0 | 108.5 mm | 10,0 | 98,5 | 5 |
| K- 07 25 05 84 | G 1/4 | 40,0 | 108.5 mm | 10,0 | 98,5 | 5 |

Spare parts

| | |
|--------------------------------|---|
| K-ERSATZBEHAELTER MULTI MINI | Spare tank »multifix-mini« & »standard-mini« |
| K-PC-BEHAELTER FILTER MULTIFIX | Polycarbonate tank filter |
| K-FILTERELEMENT | Filter element |
| K-AUTOMAT ABLASSVENTIL | Automatic drain valve |
| K-LOESBARE DOPPELNIPPEL MS | Double nipples |
| K-XV AGM MS NI | Double nipples, parallel male thread, nickel-plated brass |