

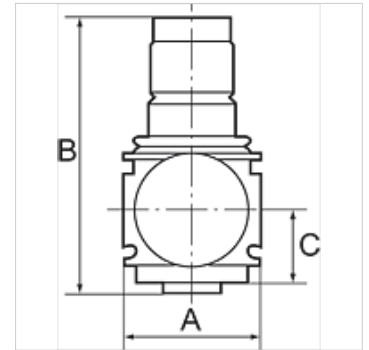
K-DRG DRVS VARIOBLOC

Pressure regulators with pressure supply at both ends

HANSA FLEX

Properties

Input pressure	Max. 25 bar
Media temperature	max. 50 °C
Ambient temperature	Max. 50 °C
Sealant	NBR
Spring bonnet	POM-brass
Housing	Die-cast zinc
Flow rate measurement	At P1 = 10 bar, P2 = 6 bar and pressure drop Δp = 1 bar



Note

Further information on request

Description

Diaphragm pressure regulators with self-relieving design for mounting side by side. The pressure setting can be locked by pushing the knob down.
By assembling two or more controllers together, it is possible to supply several working air circuits with different output pressures via a single supply line.

Ordering information

Pressure regulators are also available in lockable version. Please ask for more information.

Item

Identification	Thread	Control range	Flow rate (L/min)	A (mm)	B	C (mm)
K- 07 25 04 33	G 1/4	0.5 - 6 bar	1800	48,0	98.0 mm	26,0
K- 07 25 04 34	G 1/4	0.5 - 10 bar	1800	48,0	98.0 mm	26,0
K- 07 25 04 35	G 1/4	0.5 - 16 bar	1800	48,0	98.0 mm	26,0
K- 07 25 04 36	G 3/8	0.5 - 6 bar	1800	48,0	98.0 mm	26,0
K- 07 25 04 37	G 3/8	0.5 - 10 bar	1800	48,0	98.0 mm	26,0
K- 07 25 04 38	G 3/8	0.5 - 16 bar	1800	48,0	98.0 mm	26,0

Spare parts

K-VERSCHLEI-SATZ VARIOBLOC Set of wearing parts