

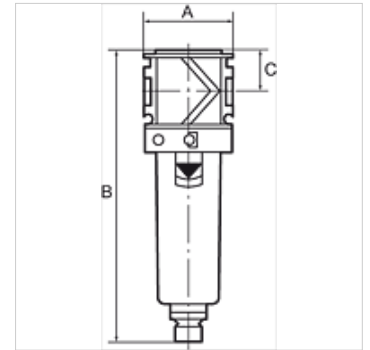
K-FI PC-BEHÄLTER VARIOBLOC

Filters with polycarbonate bowl

HANSA FLEX

Properties

Input pressure	Max. 16 bar (polycarbonate bowl), Max. 20 bar (metal bowl)
Media temperature	max. 50 °C
Ambient temperature	Max. 50 °C (polycarbonate bowl), Max. 80 °C (metal bowl)
Pore size in filter element	40 µm
Sealant	NBR
Housing	Die-cast zinc
Drain valve	Manual
Flow rate measurement	At P1 = 6 bar and pressure drop $\Delta p = 1$ bar



Note

Further information on request

Description

Centrifugal separators with a sintered filter element. Filtration takes place in a 2-stage process comprising cyclone separation (condensate) and a PE filter element (particles). Approved series in modern industrial design, with the following key benefits: Simple handling, Convenient modular assembly thanks to innovative fasteners, Excellent flow values.

Ordering information

Filters are also available with bowl guard or metal bowl.

Item

Identification	Thread	Flow rate (L/min)	A (mm)	B	C (mm)
K- 07 25 06 25	G 1/4	1800	48,0	155.0 mm	22,0
K- 07 25 06 27	G 3/8	2000	48,0	155.0 mm	22,0
K- 07 25 06 29	G 1/2	3200	70,0	202.0 mm	26,0
K- 07 25 06 31	G 3/4	3500	70,0	202.0 mm	26,0
K- 07 25 06 33	G 1	3500	124,0	202.0 mm	26,0

Spare parts

K-ERSATZBEHÄLTER VARIOBLOC POLY	Spare tank Polycarbonat
K-FILTERELEMENT VARIOBLOC	Filter element
K-ABLASSVENTIL AUTO	Fully-automatic drain valve with Adapter G 1/8