

K-3/2-BKR VARIOBLOC

Ball valves

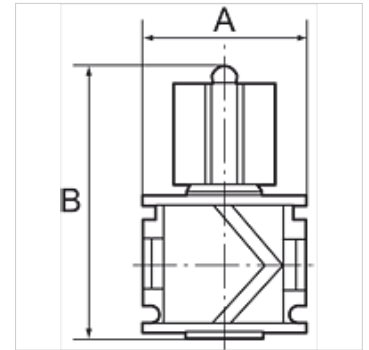
HANSA FLEX

Properties

Ambient temperature Max. 80 °C

Working pressure Max. 20 bar

Flow rate measurement At P1 = 6 bar and pressure drop $\Delta p = 1$ bar



Note

Further information on request

Description

Used as the main shut-off element, especially for flanging onto the start of a variobloc service unit. With pressure relief and silencer. Can be locked with a standard padlock.

Item

Identification	Thread	Flow rate (L/min)	A (mm)	B
K- 07 25 11 89	G 1/4	4300	48,0	80.0 mm
K- 07 25 11 90	G 3/8	4400	48,0	80.0 mm
K- 07 25 11 91	G 1/2	9000	70,0	92.0 mm
K- 07 25 11 92	G 3/4	11000	70,0	92.0 mm
K- 07 25 11 93	G 1	11000	124,0	92.0 mm