

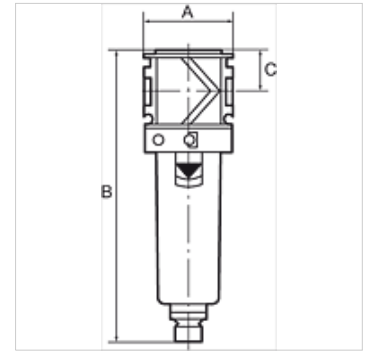
K-FI MIKRO METALLBEH SICHT VARIOBLO

Micro-filters with metal bowl, incl. sight glass

HANSA FLEX

Properties

Input pressure	Max. 16 bar (polycarbonate bowl), Max. 20 bar (metal bowl)
Media temperature	max. 50 °C
Ambient temperature	Max. 50 °C (polycarbonate bowl), Max. 80 °C (metal bowl)
Filter rating	0,01 µm
air quality ISO 85731	Class 1 dirt, class 1 oil
Efficiency	99.999 %
Flow rate measurement	At P1 = 7 bar and pressure drop $\Delta p = 0,1$ bar



Note

Further information on request

Description

Borosilicate filter for all applications where compliance with strict compressed air purity requirements is vital. As the second stage downstream of the standard filter, the micro-filter removes 99.999 % of even the finest remaining particles from water, oil and dirt with practically zero residues (filter rating: 0.01 µm).

Ordering information

Micro-filters are also available with bowl guard or metal bowl.

Item

Identification	Thread	Flow rate (L/min)	A (mm)	B	C (mm)
K- 07 25 10 90	G 1/4	370	48,0	155.0 mm	22,0
K- 07 25 10 92	G 3/8	420	48,0	155.0 mm	22,0
K- 07 25 10 94	G 1/2	1000	70,0	202.0 mm	26,0
K- 07 25 10 96	G 3/4	1100	70,0	202.0 mm	26,0
K- 07 25 10 98	G 1	1100	124,0	202.0 mm	26,0

Spare parts

K-ERSATZBEHAELTER VARIOBLOC POLY	Spare tank Polycarbonat
K-FILTERELEMENT VARIOBLOC	Filter element
K-ABLASSVENTIL AUTO	Fully-automatic drain valve with Adapter G 1/8