

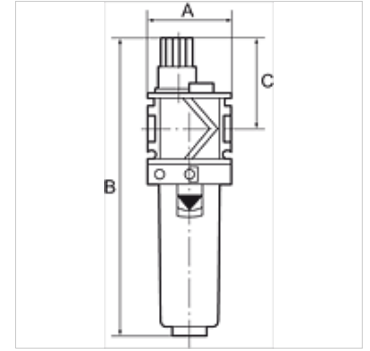
K-NEBELOELER METALLBEHAE S T VARIOB

Oil-mist lubricators with metal bowl, incl. sight glass and metal sight dome

HANSA FLEX

Properties

Input pressure	Max. 16 bar (polycarbonate bowl), Max. 20 bar (metal bowl)
Media temperature	max. 50 °C
Ambient temperature	Max. 50 °C (polycarbonate bowl), Max. 80 °C (metal bowl)
Sealant	NBR
Housing	Die-cast zinc
Dropper	PA
Oil grade	CL 32 acc. to DIN 51517 - ISO VG 32
Flow rate measurement	At P1 = 6 bar and pressure drop $\Delta p = 1$ bar



Note

Further information on request

Description

Proportional lubricators, oil can be filled under pressure. Approved series in modern industrial design, with the following key benefits: Simple handling, Convenient modular assembly thanks to innovative fasteners, Excellent flow values.

Ordering information

Oil-mist lubricators are also available with bowl guard or metal bowl.

Item	Identification	Thread	Flow rate (L/min)	A (mm)	B	C (mm)
	K- 07 25 09 14	G 1/4	3400	48,0	180.0 mm	60,0
	K- 07 25 09 16	G 3/8	4400	48,0	180.0 mm	60,0
	K- 07 25 09 18	G 1/2	4600	70,0	224.0 mm	65,0
	K- 07 25 09 20	G 3/4	7500	70,0	224.0 mm	65,0
	K- 07 25 09 22	G 1	7500	124,0	224.0 mm	65,0

Spare parts

K-ERSATZBEHAELTER VARIOBLOC POLY	Spare tank Polycarbonat
K-TROPFAUFSATZ VARIOBLOC	Drip attachment
K-TROPFAUFSATZ METALL	Drip attachment metal