

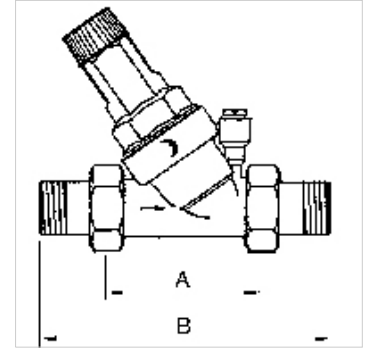
# K-DRG SAXONIA M MANO

Pressure regulators

**HANSA FLEX**

## Properties

<b>Input pressure</b>	Max. 16 bar
<b>Media</b>	Drinking water
<b>Operating temperature</b>	Max. 30 °C
<b>Sealant</b>	NBR
<b>Spring bonnet</b>	Plastic
<b>Housing</b>	Brass
<b>Filter bowl</b>	Plastic, with control dial for back pressure
<b>More information</b>	DVGW Zertifikat



## Note

Further information on request

## Description

Diaphragm pressure regulators with pressure-reduced single-seated valve and built-in strainer. These pressure regulators, which are independent of inlet pressure, protect domestic water installations against excessive supply pressure. They can also be used for commercial or industrial purposes providing their specification is adequate.

## Item

Identification	Thread	DN	Control range	flow kvs-value (m <sup>3</sup> /h)	A (mm)	B
K- 07 25 04 72	R 3/4	20	1.5 - 6 bar	3,4	90,0	158.0 mm
K- 07 25 04 73	R 1	25	1.5 - 6 bar	5,3	100,0	184.0 mm
K- 07 25 04 74	R 1 1/4	32	1.5 - 6 bar	8,6	130,0	228.0 mm

## Spare parts

K-VENTILAUSTAUSSCHSATZ	Valve replacement kit
K-ERSATZSIEBE	Replacement strainer
K-RMM U STAHL	Standard pressure gauges (sheet steel housing / connection radial on bottom)