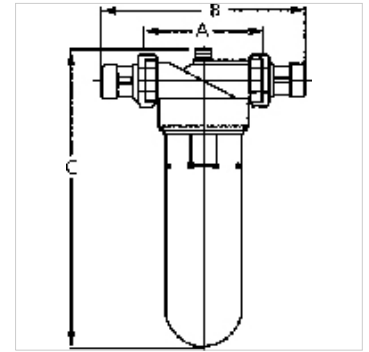
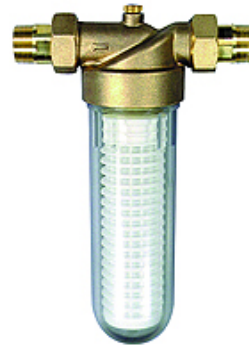


### Properties

<b>Input pressure</b>	Max. 16 bar
<b>Operating temperature</b>	Max. 30 °C
<b>Pore size in filter element</b>	90 µm
<b>Housing</b>	Brass
<b>Filter bowl</b>	Special impact-resistant plastic
<b>More information</b>	DVGW Certificate (K-07250556 and K-07250557 no Certificate)



### Note

Further information on request

### Description

For filtering drinking and domestic water in addition to well, process and cooling water for once-through cooling systems. These filters protect the water pipes and all water-carrying parts of the system on the downstream side against malfunctions and corrosion damage.

### Item

Identification	Thread	DN	flow kvs-value (m <sup>3</sup> /h)	A (mm)	B	C (mm)
K- 07 25 05 53	R 3/4	20	4,0	120,0	206.0 mm	300,0
K- 07 25 05 54	R 1	25	5,5	120,0	206.0 mm	300,0
K- 07 25 05 55	R 1 1/4	32	6,0	120,0	220.0 mm	300,0
K- 07 25 05 56	R 1 1/2	40	9,0	140,0	254.0 mm	290,0
K- 07 25 05 57	R 2	50	12,0	140,0	274.0 mm	290,0

### Spare parts

K-FILTEREINSATZ	Filter insert
K-KUNSTSTOFFBEHAELTER	Plastic tank