

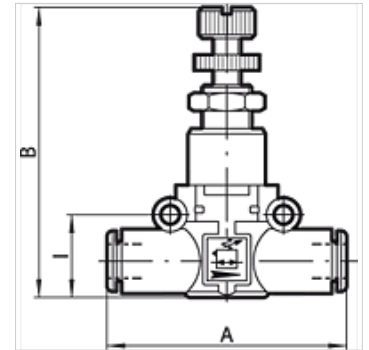
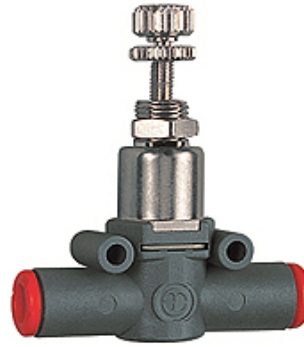
# K-DRG SCHL SCHL

Pressure regulators, pipe - pipe

**HANSA FLEX**

## Properties

<b>Operating pressure</b>	2 - 10 bar
<b>Flow rate 6,3bar</b>	400 NI/min (Ø 6 and G 1/8), 600 NI/min (Ø 8 and G 1/4)
<b>Temp. range</b>	-20 °C to +60 °C
<b>Body</b>	Technopolymer
<b>Internal parts</b>	nickel-plated brass, brass, Intechnopolymer, stainless steel
<b>Sealant</b>	NBR
<b>Installation</b>	Wall mounting (housing with drilled holes) Bracket mounting (mounting bracket available) Panel mounting (with bracket or lock nut)
<b>Symbol</b>	on the housing



## Note

Further information on request

## Description

A carefully selected assortment of products for installation in pneumatic circuits. These small, highly efficient components allow all pneumatic functions to be implemented anywhere in the circuit. The series has an ultramodular design. All components can be installed in parallel, in series, in a mixed parallel / serial configuration. Available as Pipe / pipe connection with two plug connectors Thread / pipe connection, with one plug connector and one nickel-plated brass thread.

## Item

Identification	for hose Ø (mm)	Control range	A (mm)	B (mm)	I (mm)
K- 07 25 03 10	6	1 - 8 bar	49,4	52,0	14,6
K- 07 25 03 11	8	1 - 8 bar	57,3	58,0	18,7