

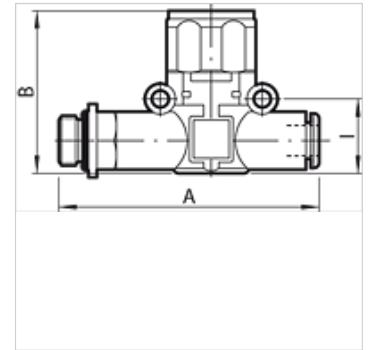
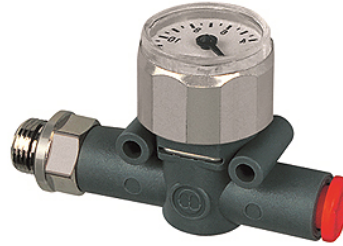
K-MANO GEW SCHL

Pressure gauges, thread (input) - pipe (output)

HANSA FLEX

Properties

Operating pressure	max. 12 bar
Precision	+/- 4 % of full-scale value
Scale	0 - 12 bar
Temp. range	-20 °C to +60 °C
Body	Technopolymer
Internal parts	nickel-plated brass, brass, Intechnopolymer, stainless steel
Sealant	NBR
Installation	Wall mounting (housing with drilled holes) Bracket mounting (mounting bracket available) Panel mounting (with bracket or lock nut)
Symbol	on the housing



Note

Further information on request

Description

A carefully selected assortment of products for installation in pneumatic circuits. These small, highly efficient components allow all pneumatic functions to be implemented anywhere in the circuit. The series has an ultramodular design. All components can be installed in parallel, in series, in a mixed parallel / serial configuration. Available as Pipe / pipe connection with two plug connectors Thread / pipe connection, with one plug connector and one nickel-plated brass thread.

Item

Identification	Thread	for hose Ø (mm)	A (mm)	B (mm)	l (mm)
K- 07 15 25 39	M 5	4	47,7	36,1	12,8
K- 07 15 25 40	G 1/8	4	51,5	36,1	12,8
K- 07 15 14 15	G 1/8	6	58,3	35,0	14,6
K- 07 15 14 16	G 1/8	8	66,4	41,1	18,7
K- 07 15 14 13	G 1/4	6	61,3	35,0	14,6
K- 07 15 14 14	G 1/4	8	70,8	41,1	18,7
K- 07 15 14 17	G 3/8	8	72,4	41,1	18,7