

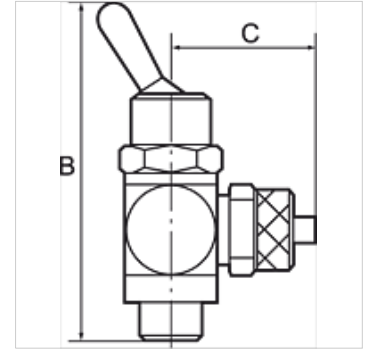
# K-WKV 2/2 BEIDS STECK

2/2-way toggle valves, discharge port on both sides, plug-in connector

**HANSA FLEX**

## Properties

Operating pressure	max. 8 bar
Temp. range	0 °C to +70 °C
Thread control panel	M 12 x 0.75 (sheet thickness max. 4 mm)
Internal parts	Brass with a bare metal surface
Sealant	NBR
Hollow screw, pivot arm, lifting lever	Nickel-plated brass
Seals (non-detachable)	Polyamide (glass fibre-reinforced)



## Note

Further information on request

## Description

Manually operated toggle valves, 2/2 and 3/2-way types. For all applications where compressed air must be switched on or off quickly and easily or a cylinder operated manually. Designed as a banjo-type valve with a hollow bolt and ring piece. Suitable for screwing directly into the equipment or for panel mounting. Compact type of construction, also ideal where space is restricted.

## Item

Identification	Design	C (mm)	for hose	Thread	AF	B (mm)
K- 07 15 07 17	2/2-way	19,5	4 mm	G 1/8	14 mm	55,0
K- 07 15 07 18	2/2-way	22,0	6 mm	G 1/8	14 mm	55,0
K- 07 15 07 19	2/2-way	22,5	8 mm	G 1/8	14 mm	55,0
K- 07 15 07 15	2/2-way	23,5	6 mm	G 1/4	17 mm	60,0
K- 07 15 07 16	2/2-way	24,0	8 mm	G 1/4	17 mm	60,0
K- 07 15 07 14	2/2-way	26,5	10 mm	G 1/4	17 mm	60,0