

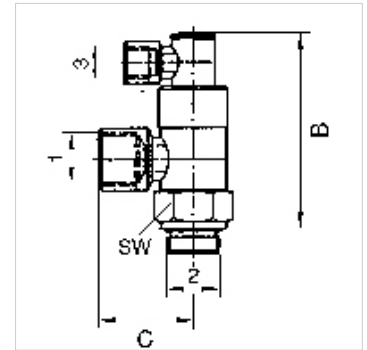
# K-STOPPVENTILE IG

Stop valves, ports 2 and 3 with female thread

**HANSA FLEX**

## Properties

<b>Working pressure</b>	Max. 10 bar
<b>Pilot pressure</b>	1 - 5 bar, depending on operating pressure
<b>Media temperature</b>	max. 70 °C
<b>Installation position</b>	Any. Ring pieces can still be rotated 360° after the valve has been tightened
<b>Material</b>	Nickel-plated brass
<b>Sealant</b>	Perbunan



## Note

Further information on request

## Description

For high-speed positioning and stop functions as well as emergency switching (e.g. emergency stop). If a control signal is present at port 3, air can flow to and from the cylinder. If no control signal is present, the air flow to and from the cylinder is shut off, causing the cylinder to stop in the required position. Stop valves are screwed directly onto the cylinder instead of the normal pipe connections.

## Item

Identification	Port 1	Port 2	Connection 3	B (mm)	C (mm)
K- 07 15 20 46	G 1/8	G 1/8	G 1/8	52,0	21,0
K- 07 15 20 45	G 1/4	G 1/4	G 1/8	58,0	25,0
K- 07 15 20 47	G 3/8	G 3/8	G 1/8	63,0	31,0
K- 07 15 20 44	G 1/2	G 1/2	G 1/8	72,0	40,0