

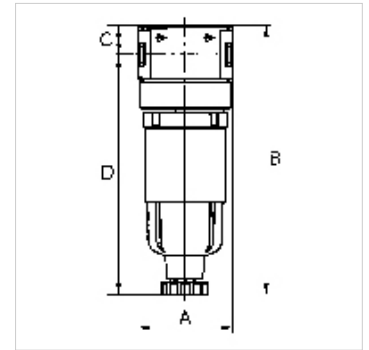
# K-FI AK KOH PC-BEHÄLTER MULTIFIX MINI

Activated carbon filters with polycarbonate bowl

**HANSA FLEX**

## Properties

<b>Input pressure</b>	Max. 16 bar
<b>Media temperature</b>	max. 60 °C
<b>Ambient temperature</b>	Max. 60 °C
<b>Sealant</b>	NBR
<b>Filter insert</b>	Activated carbon-POM
<b>Housing</b>	Die-cast zinc
<b>Drain valve</b>	Semi-automatic
<b>Residual oil content</b>	0.005 mg/m <sup>3</sup>
<b>Flow rate measurement</b>	FA at P1 = 6 bar and pressure drop $\Delta p = 0.2$ bar



## Note

If several devices in the »multifix-mini« Series are assembled together, the maximum working pressure is 12 bar.  
Further information on request

## Description

Micro-filters for compliance with strict compressed air purity requirements. Suitable for all applications where standard filters do not afford the desired efficiency.

## Item

Identification	Thread	Flow rate (L/min)	A (mm)	B	C (mm)	D (mm)	DN	Size
K- 07 25 10 45	G 1/8	310	40,0	107.8 mm	12,3	95,5	5	0
K- 07 25 10 47	G 1/4	380	40,0	122.8 mm	12,3	110,5	5	0

## Spare parts

K-AUTOMAT ABLASSVENTIL	Automatic drain valve
K-KOPPELPAKET MEHR	Coupling packet
K-ERSATZBEHÄLTER MULTI MINI	Spare tank »multifix-mini« & »standard-mini«