

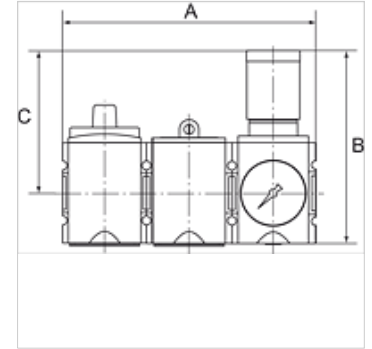
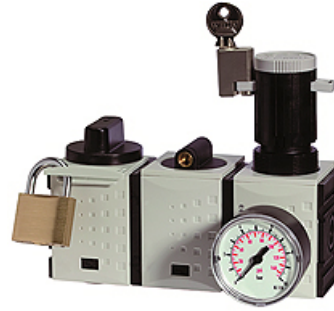
K-WTST SAFETY BK SCHA AN DR HANSA

SAFETY service unit sets, comprising a ball valve with silencer, start-up valve and pressure regulator

HANSA FLEX

Properties

| | |
|--------------------------------------|---|
| Input pressure | 2.5 - 16 bar |
| Output pressure | 0.5 - 8 bar |
| Temp. range | -10 °C to +50 °C |
| Media | Compressed air |
| Sealant | NBR |
| Connection thread | Material: Die-cast zinc |
| Container | Polycarbonate (with bayonet lock) and bowl guard |
| Filter element | Cellpor (PE) 5 µm |
| Housing | Material: Grivory® (PA 66) |
| Diaphragm | NBR |
| Internal air consumption | Max. 1.5 l/min (depending on secondary pressure) |
| Flow rate measurement | At P1 = 10 bar, P2 = 6.3 bar and pressure drop $\Delta p = 1$ bar |
| connection venting ball valve | Silencer |



Note

Further information on request

Description

These compressed air service unit sets, comprising a ball valve with silencer, a start-up valve and one out of a pressure regulator, filter regulator or service unit, meet even the strictest requirements for operating reliability and accident prevention!

Ordering information

The price does not include a key lock and padlock. Please order separately. For accessories and spare parts, refer to individual components: ball valve, start-up valve, pressure regulator, filter regulator, 2-piece service unit

Item

| Identification | Thread | Control range | Flow rate (L/min) | A (mm) | B | C (mm) |
|----------------|--------|---------------|-------------------|--------|----------|--------|
| K- 07 25 15 20 | G 1/4 | 2.5 - 8 bar | 2000 | 156,0 | 128.5 mm | 95,5 |
| K- 07 25 15 21 | G 3/8 | 2.5 - 8 bar | 2000 | 156,0 | 128.5 mm | 95,5 |
| K- 07 25 15 22 | G 3/8 | 2.5 - 8 bar | 4300 | 189,0 | 149.5 mm | 110,0 |
| K- 07 25 15 23 | G 1/2 | 2.5 - 8 bar | 4300 | 189,0 | 149.5 mm | 110,0 |
| K- 07 25 15 24 | G 3/4 | 2.5 - 8 bar | 10000 | 255,0 | 191.0 mm | 137,0 |
| K- 07 25 15 25 | G 1 | 2.5 - 8 bar | 10000 | 255,0 | 191.0 mm | 137,0 |

Accessories

| | |
|---------------------------|----------|
| K-STECKSCHLOSS | Key lock |
| K-VORHAENGESCHLOSS | Padlock |