

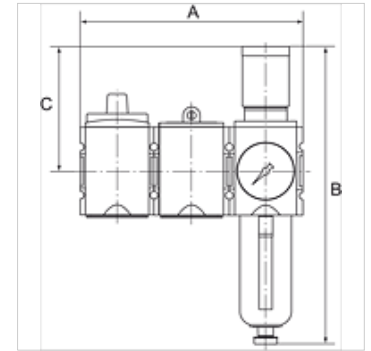
K-WTST SAFETY BK SCHA AN FILR HANSA

SAFETY service unit sets, comprising a ball valve with silencer, start-up valve and filter regulator

HANSA FLEX

Properties

Input pressure	2.5 - 16 bar
Output pressure	0.5 - 8 bar
Temp. range	-10 °C to +50 °C
Media	Compressed air
Sealant	NBR
Connection thread	Material: Die-cast zinc
Container	Polycarbonate (with bayonet lock) and bowl guard
Filter element	Cellpor (PE) 5 µm
Housing	Material: Grivory® (PA 66)
Diaphragm	NBR
Internal air consumption	Max. 1.5 l/min (depending on secondary pressure)
Flow rate measurement	At P1 = 10 bar, P2 = 6.3 bar and pressure drop $\Delta p = 1$ bar
connection venting ball valve	Silencer



Note

Further information on request

Description

These compressed air service unit sets, comprising a ball valve with silencer, a start-up valve and one out of a pressure regulator, filter regulator or service unit, meet even the strictest requirements for operating reliability and accident prevention!

Ordering information

The price does not include a key lock and padlock. Please order separately. For accessories and spare parts, refer to individual components: ball valve, start-up valve, pressure regulator, filter regulator, 2-piece service unit

Item

Identification	Thread	Flow rate (L/min)	A (mm)	B (mm)	C (mm)	condensate outlet
K- 07 25 15 26	G 1/4	2000	156,0	225.0 mm	95,5	Semi
K- 07 25 15 27	G 3/8	2000	156,0	225.0 mm	95,5	Semi
K- 07 25 15 28	G 3/8	4300	189,0	257.0 mm	110,0	Semi
K- 07 25 15 29	G 1/2	4300	189,0	257.0 mm	110,0	Semi
K- 07 25 15 30	G 3/4	10000	255,0	329.0 mm	137,0	Semi
K- 07 25 15 31	G 1	10000	255,0	329.0 mm	137,0	Semi
K- 07 25 15 32	G 1/4	2000	156,0	243.0 mm	95,5	Auto
K- 07 25 15 33	G 3/8	2000	156,0	243.0 mm	95,5	Auto
K- 07 25 15 34	G 3/8	4300	189,0	274.0 mm	110,0	Auto
K- 07 25 15 35	G 1/2	4300	189,0	274.0 mm	110,0	Auto
K- 07 25 15 36	G 3/4	10000	255,0	343.0 mm	137,0	Auto
K- 07 25 15 37	G 1	10000	255,0	343.0 mm	137,0	Auto

Accessories

K-STECKSCHLOSS	Key lock
K-VORHAENGESCHLOSS	Padlock