

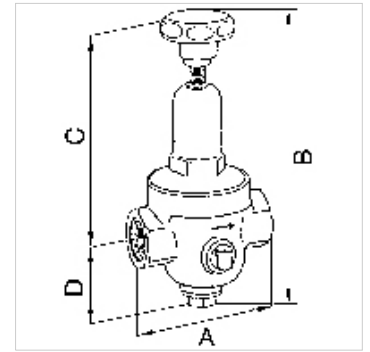
# K-DRG DRV 250 NIEDERDRUCK

DRV 250 pressure regulators, low-pressure type

**HANSA FLEX**

## Properties

<b>Input pressure</b>	Max. 25 bar (Series 200 and 300 Series), Max. 40 bar (400 Series)
<b>Temp. range</b>	Max. 75 °C
<b>Reduction ratio</b>	Max. 10:1 (200 Series), Max. 20:1 (300 Series), Max. 6:1 (400 Series)
<b>Sealant</b>	NBR
<b>Spring bonnet</b>	Pressed brass up to DN 25, Grey cast iron from DN 32
<b>Housing</b>	Red brass 2.1096.01



## Note

Further information on request

## Description

Diaphragm pressure regulators with non-self-relieving design and non-pressure-reduced single-seated valve. Very precise adjustment. Good response characteristic because of only a few moving parts which hence minimal friction. Ideal for compressed air, nitrogen and other neutral, non-flammable gases, but only suitable for liquids with comparatively low flow rates.

## Ordering information

Other designs available on request

## Additional information

Other designs available on request

## Item

Identification	Thread	Control range	flow kvs-value (m <sup>3</sup> /h)	A (mm)	B	C (mm)	D (mm)
K- 07 25 04 94	G 1/4	0.2 - 2 bar	0,5	70,0	185.5 mm	140,0	45,5
K- 07 25 04 95	G 3/8	0.2 - 2 bar	0,6	70,0	185.5 mm	140,0	45,5
K- 07 25 04 96	G 1/2	0.2 - 2 bar	1,2	85,0	232.5 mm	186,0	46,5

## Spare parts

K-VERSCHLEI-SATZ Set of wearing parts