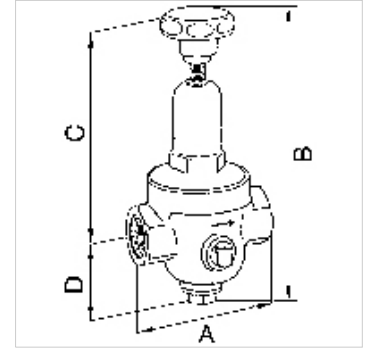


K-DRG DRV 225 HOCHDRUCK

DRV 225 pressure regulators, high-pressure type

Properties

Input pressure	Max. 25 bar (Series 200 and 300 Series), Max. 40 bar (400 Series)
Temp. range	Max. 75 °C
Reduction ratio	Max. 10:1 (200 Series), Max. 20:1 (300 Series), Max. 6:1 (400 Series)
Sealant	NBR
Spring bonnet	Pressed brass up to DN 25, Grey cast iron from DN 32
Housing	Red brass 2.1096.01



Note

Further information on request

Description

Diaphragm pressure regulators with non-self-relieving design and non-pressure-reduced single-seated valve. Very precise adjustment. Good response characteristic because of only a few moving parts which hence minimal friction. Ideal for compressed air, nitrogen and other neutral, non-flammable gases, but only suitable for liquids with comparatively low flow rates.

Ordering information

Other designs available on request

Additional information

Other designs available on request

Item

Identification	Thread	Control range	flow kvs-value (m ³ /h)	A (mm)	B	C (mm)	D (mm)
K- 07 25 04 97	G 1/4	1.5 - 20 bar	0,5	70,0	188.0 mm	141,0	47,0
K- 07 25 04 98	G 3/8	1.5 - 20 bar	0,6	70,0	188.0 mm	141,0	47,0
K- 07 25 04 99	G 1/2	1.5 - 20 bar	1,2	85,0	228.5 mm	182,0	46,5
K- 07 25 05 00	G 3/4	1.5 - 20 bar	1,3	85,0	228.5 mm	182,0	46,5
K- 07 25 05 01	G 1	1.5 - 20 bar	1,6	95,0	257.0 mm	201,0	56,0
K- 07 25 05 02	G 1 1/4	1.5 - 20 bar	4,2	104,0	385.0 mm	324,0	61,0
K- 07 25 05 03	G 1 1/2	1.5 - 20 bar	4,5	108,0	392.0 mm	331,0	61,0
K- 07 25 05 04	G 2	1.5 - 20 bar	7,2	146,5	419.0 mm	349,0	70,0

Spare parts

K-VERSCHLEI-SATZ Set of wearing parts