

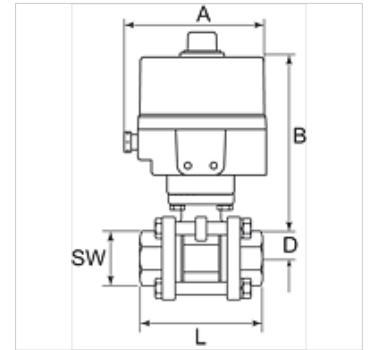
K-BKR ELK 24VDC

Stainless steel ball valves with electric actuator 24 VDC

HANSA FLEX

Properties

Media temperature	-20 °C to +70 °C
Operating pressure	max. 63 bar (depending on temperature and nominal size)
Duty cycle	ED 30 %
Relative humidity	30 % to 95 %
Valve positions	Manually operated
protection class	IP 67
Actuating time	13 sec. = 230 VAC, 50 Hz 15 sec. = 24 VDC
Ambient temperature	-20 °C to +60 °C
Length	DIN 3203 - M3
Mounting flange	ISO 5211
Housing	Aluminium, powder-coated
Ball valve	Stainless steel 1.4401/1.4408
Ball seals	PTFE, glass fibre-reinforced
Selector shaft seal	PTFE, glass fibre-reinforced



Note

Further information on request

Description

Voltage range 230 VAC, 50 Hz or 24 VDC.
Reversible electric rotary actuator.

Item

Identification	DN	Thread	A (mm)	B (mm)	D (mm)	L (mm)	AF (mm)
K- 07 30 20 70	15	Rp 1/2	152,0	191,0	24,0	75,0	29
K- 07 30 20 71	20	Rp 3/4	152,0	195,0	26,0	80,0	35
K- 07 30 20 72	25	Rp 1	152,0	203,0	29,0	90,0	41
K- 07 30 20 73	32	Rp 1 1/4	152,0	209,0	36,0	110,0	50
K- 07 30 20 74	40	Rp 1 1/2	152,0	219,0	40,0	120,0	58
K- 07 30 20 75	50	Rp 2	152,0	275,0	48,0	140,0	72