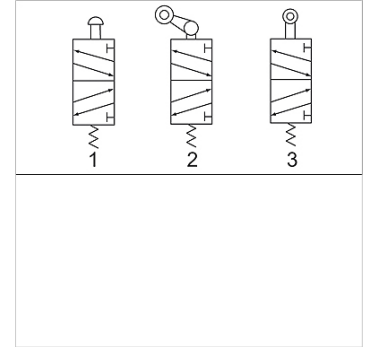


K-WV 5/2 MECHA STOESSEL M5

5/2-way valve, mechanically operated, with plunger

Properties

Operating pressure	0 - 10 bar
Temp. range	-20 °C to +70 °C
Flow rate measurement	At P1 = 8 bar, P2 = 6 bar and pressure drop Δp = 1 bar
Valve body	Aluminium alloy



Note

Further information on request

Item

Identification	Connection	Vent port	Flow rate (L/min)	circuit diagram number
K- 07 15 03 10	G 1/8	G 1/8	450	1
K- 07 15 03 11	G 1/4	G 1/8	550	1