

# K-SCHALLDAE FEDEREINSTELLUNG

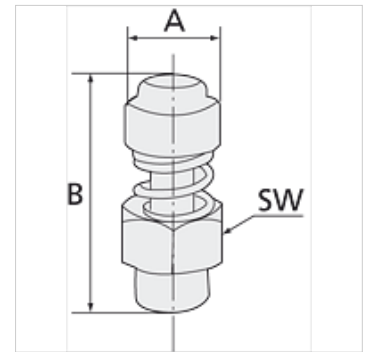
Adjustable spring silencers

**HANSA FLEX**

## Properties

Operating pressure max. 12 bar

Operating temperature -10 °C to +80 °C



## Note

Further information on request

## Item

Identification	Thread	A (mm)	B max (mm)	B min (mm)	AF
K- 07 40 34 64	G 1/8	12,0	28,0	26,0	13 mm
K- 07 40 34 65	G 1/4	14,0	32,0	30,0	15 mm
K- 07 40 34 66	G 3/8	17,0	38,0	36,0	22 mm
K- 07 40 34 67	G 1/2	17,0	39,0	37,0	22 mm
K- 07 40 34 68	G 3/4	32,0	50,0	46,0	30 mm
K- 07 40 34 69	G 1	32,0	50,0	47,0	36 mm