

K-HOCHLEIST SCHALLDAE ALU

High-performance silencers-Aluminium

HANSA FLEX

Properties

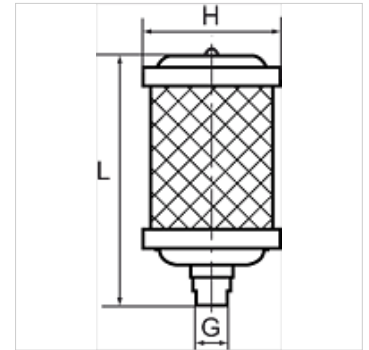
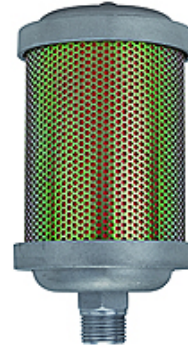
Working pressure 0 - 10 bar

Operating temperature -10 °C to +70 °C

Muffling material

Noise reduction ≥ 20 dB

Housing Aluminium, steel zinc plated perforated plane



Note

Further information on request

Item

Identification	Flow rate 6bar	Thread	H (mm)	L (mm)
K- 07 40 14 37	629 l/min	G 1/8	47,0	80,0
K- 07 40 14 38	1211 l/min	G 1/4	47,0	111,0
K- 07 40 14 39	2230 l/min	G 3/8	66,0	130,0
K- 07 40 14 40	2712 l/min	G 1/2	80,0	148,0
K- 07 40 14 41	6059 l/min	G 3/4	86,5	184,0
K- 07 40 14 42	6348 l/min	G 1	99,0	222,0
K- 07 40 14 43	6946 l/min	G 1 1/4	99,0	226,0
K- 07 40 14 44	49000 l/min	G 1 1/2	133,5	340,0
K- 07 40 14 45	57000 l/min	G 2	133,5	470,0