

# K-DRV 2

## Unidirectional flow control valves

### Properties

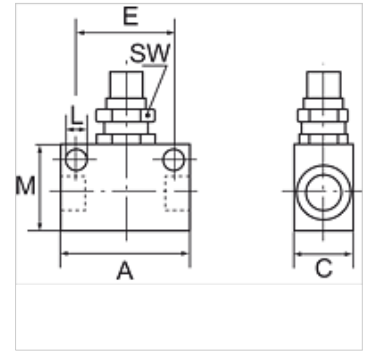
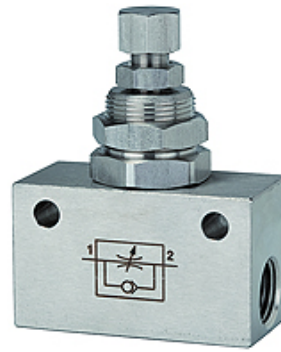
**Operating pressure** Max. 10 bar

**Operating temperature** 0 °C to +150 °C

**Sealant** FKM

**Housing** Stainless steel 1.4404

**Internal parts** Stainless steel 1.4404



### Note

Further information on request

### Description

Unidirectional flow control valve, restricted in the flow direction and free passage in the opposite direction.

### Item

Identification	Thread	A (mm)	C (mm)	E (mm)	L (mm)	M (mm)	AF (mm)
K- 07 30 12 41	G 1/8	34,0	15,0	24,0	4,5	20,0	14
K- 07 30 12 42	G 1/4	50,0	25,0	35,0	5,5	30,0	22