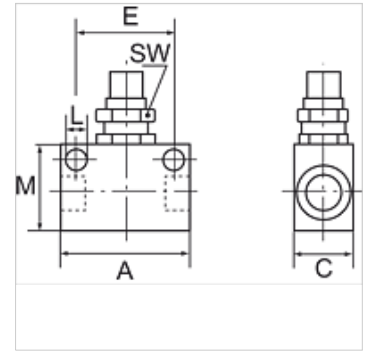
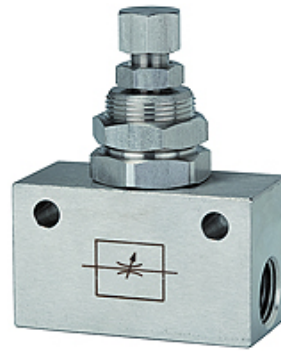


K-DV 2

Bidirectional flow control valves

Properties

Operating pressure	Max. 10 bar
Operating temperature	0 °C to +150 °C
Internal parts	Stainless steel 1.4404
Sealant	FKM
Housing	Stainless steel 1.4404



Note

Further information on request

Description

Straight-way valves with restricted flow in both directions.

Item

Identification	Thread	A (mm)	C (mm)	E (mm)	L (mm)	M (mm)	AF (mm)
K- 07 30 12 47	G 1/8	34,0	15,0	24,0	4,5	20,0	14
K- 07 30 12 48	G 1/4	50,0	25,0	35,0	5,5	30,0	22