

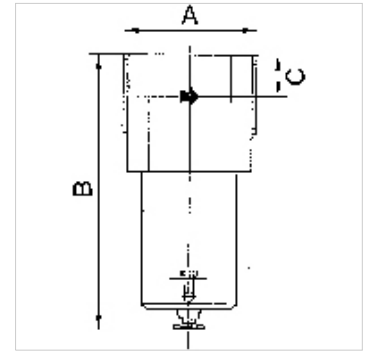
# K-FI BIS 60BAR

Filters for high pressures up to 60 bar

**HANSA FLEX**

## Properties

Input pressure	Max. 60 bar
Operating temperature	0 °C to +90 °C
Pore size in filter element	40 µm
Sealant	NBR
Container	Brass
Housing	Aluminium
Flow rate measurement	At P2 = 6 bar and pressure drop $\Delta p = 0,5$ bar



## Note

Further information on request

## Description

Centrifugal separators with a sintered filter element.

## Item

Identification	Thread	Flow rate (L/min)	A (mm)	B	C (mm)
K- 07 25 06 17	G 3/8	2660	73,0	187.0 mm	25,0
K- 07 25 06 18	G 1/2	2660	65,0	187.0 mm	25,0
K- 07 25 06 19	G 3/4	6000	92,0	196.0 mm	29,0
K- 07 25 06 20	G 1	6000	80,0	196.0 mm	29,0

## Accessories

K-HALTERBAUSATZ Holder

## Spare parts

K-FILTERELEMENT Filter element