

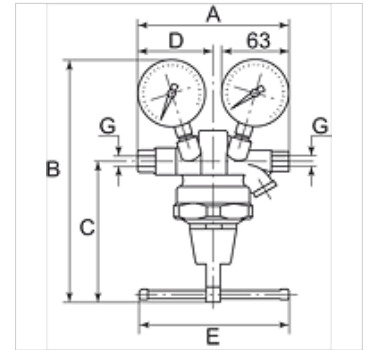
K-LEITUNGSDRUCKREGLER 200 BAR

Inline pressure regulators up to 200 bar

HANSA FLEX

Properties

Operating pressure	max. 200 bar
Operating temperature	-10 °C to +90 °C
Adjustment	Knob (50 bar), Rotary switch (100 and 150 bar)
Sealant	NBR
Material	Brass



Note

Further information on request

Description

Inline pressure regulator input pressure, suitable for compressed air, nitrogen and other neutral, compressed gases.

Item

Identification	Thread	Control range	Flow rate (L/min)	A (mm)	B (mm)	C (mm)	D (mm)	E (mm)
K- 07 25 08 27	G 1/4 female	1 - 50 bar	2500	162,0	188.5 mm	100,0	76,0	50,0
K- 07 25 08 28	G 1/4 female	1 - 100 bar	2700	162,0	213.5 mm	125,0	76,0	130,0
K- 07 25 08 29	G 1/4 female	1 - 150 bar	2900	162,0	213.5 mm	125,0	76,0	130,0