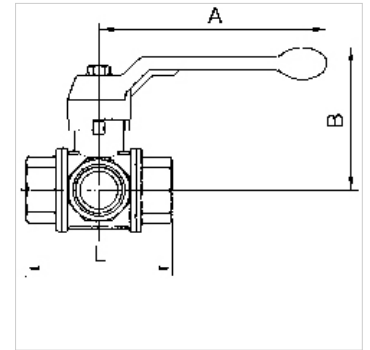
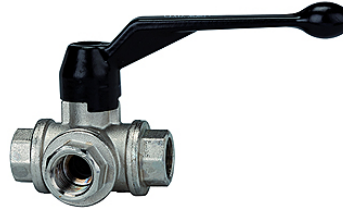


K-3 BKR T VA LEICHT

3-way ball valves, T-bore, lightweight type

Properties

| | |
|---------------------------|---------------------------|
| Thread description | Rp thread acc. to ISO 7-1 |
| Media temperature | -15 °C to max. +100 °C |
| Sealant | PTFE |
| Spring | Stainless-steel |
| Housing and ball | Nickel-plated brass |
| Hand lever | Aluminium, painted black |



Note

Further information on request

Description

Sealing on all sides with T-bore. In contrast to the 1084 series, the lever of this model can only be turned 90° rather than 180°. Only two valve positions are therefore possible instead of four.

Item

| Identification | DN | Thread | A (mm) | B (mm) | Bore inball | L (mm) | max. working pressure at 20° C (bar) |
|----------------|----|----------|-----------|-----------|-------------|-----------|---|
| K- 07 30 19 68 | 15 | Rp 1/2 | 130,0 | 85,0 | 13 | 80,0 | 40 |
| K- 07 30 19 69 | 20 | Rp 3/4 | 160,0 | 98,0 | 18 | 96,0 | 40 |
| K- 07 30 19 70 | 25 | Rp 1 | 160,0 | 102,0 | 23 | 113,0 | 25 |
| K- 07 30 19 71 | 32 | Rp 1 1/4 | 195,0 | 121,0 | 29 | 130,0 | 16 |
| K- 07 30 19 72 | 40 | Rp 1 1/2 | 195,0 | 125,0 | 35 | 147,0 | 16 |
| K- 07 30 19 73 | 50 | Rp 2 | 235,0 | 141,0 | 44 | 169,0 | 16 |