

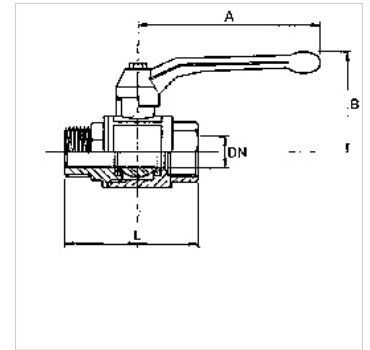
# K-BKR LANG IG AG

Ball valves, long-threaded type, female/male thread

**HANSA FLEX**

## Properties

<b>Application</b>	Compressed air, water, non-toxic and non-corrosive gases, heating systems, agriculture
<b>Operating pressure</b>	Max. 40 bar
<b>Operating temperature</b>	-15 °C to +90 °C
<b>Thread description</b>	Thread acc. to ISO 7-1
<b>Housing</b>	Nickel-plated brass
<b>Lever</b>	Aluminium, painted black
<b>Ball</b>	Chrome-plated brass
<b>Ball seals</b>	PTFE
<b>Stem seal</b>	NBR / EPDM



## Note

G thread acc. to DIN EN ISO 228-1, with ISO flange plate (acc. to ISO 5211)  
Further information on request

## Ordering information

For use on devices that have to be vented whenever they are turned off, either because of safety regulations or for technical reasons. The pneumatic devices are disconnected from the system and simultaneously vented each time they are shut off.

## Additional information

The pressure values refer to a maximum operating temperature of 40 °C. Lower maximum pressure apply at higher temperatures. See data sheet.

Item					
Identification	DN	Thread	A (mm)	B (mm)	L (mm)
K- 07 30 21 37	8	Rp/R 1/4	85,0	42,0	52,0
K- 07 30 21 38	10	Rp/R 3/8	85,0	42,0	54,0
K- 07 30 21 39	15	Rp/R 1/2	85,0	46,0	67,0
K- 07 30 21 40	20	Rp/R 3/4	105,0	53,0	78,0
K- 07 30 21 41	25	Rp/R 1	105,0	57,0	89,0
K- 07 30 21 42	32	Rp/R 1 1/4	130,0	70,0	103,0
K- 07 30 21 43	40	Rp/R 1 1/2	130,0	76,0	113,0
K- 07 30 21 44	50	Rp/R 2	165,0	92,0	136,0