

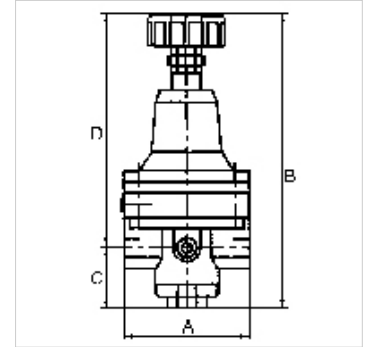
K-PRAEZIONS STEUERREGLER

Precision pilot regulators (feedback)

HANSA FLEX

Properties

Input pressure	Max. 16 bar
Media temperature	max. 80 °C
Ambient temperature	Max. 80 °C
Port for pressure gauge	For feedback pressure
Sealant	FKM
Housing	Die-cast zinc
Diaphragm	FKM
Internal air consumption	3 to 6 l/min



Note

Further information on request

Description

Diaphragm pressure regulator for feedback systems, specially designed for use in a pneumatically controlled closed control loop in combination with a pressure regulator with pneumatic remote control, e.g. our Art. Nos. K-07250505 to K-07250510.

Item

Identification	Thread	Control range	A (mm)	B	C (mm)	D (mm)
K- 07 25 05 11	G 1/4	0.2 - 7 bar	82,0	142.8 mm	19,4	123,4

Accessories

K-HALTERBAUSATZ STANDARD Holder