

K-T-RED STUECK 3 IG

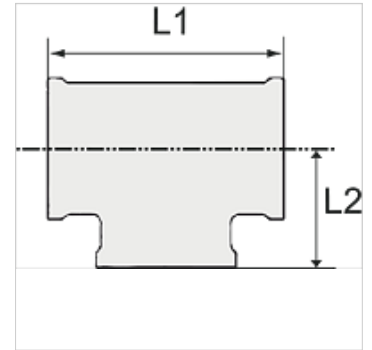
Unequal tees, 3 x female thread

HANSA FLEX

Properties

Operating pressure Max. 10 bar

Operating temperature Max. 90 °C



Note

Further information on request

Item

Identification	Female thread	Outlet thread	L1 (mm)	L2 (mm)
K- 07 40 11 48	2 x G 1/2	G 3/8	51,0	26,0
K- 07 40 11 49	2 x G 3/4	G 1/2	60,0	27,0
K- 07 40 11 50	2 x G 1	G 1/2	67,0	32,0
K- 07 40 11 51	2 x G 1	G 3/4	67,0	34,0