

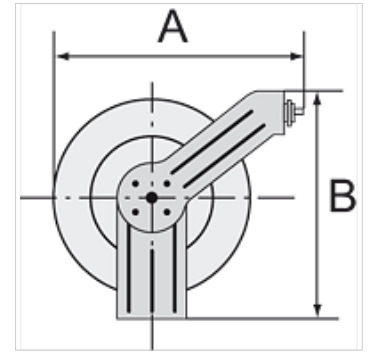
# K-SCHL-AUFROLLER SCHWEISS

Hose reel, welding type

**HANSA FLEX**

## Properties

<b>Hose material</b>	Welding hose for oxygen and acetylene, red and blue, made from synthetic rubber.
<b>Operating pressure</b>	Max. 10 bar
<b>Mounting</b>	Wall, floor or ceiling
<b>Inlet</b>	Oxygen G 1/4 male, right-hand thread with 60° inside cone, Acetylene G 3/8 male, left-hand thread with 60° inside cone



## Note

Further information on request

## Description

Heavy-duty steel design for industrial applications. Blue, powder-coated housing. Special reel guide prevents excessive wear on the hose. An automatic latching mechanism allows the hose to be engaged at any length. Enclosed spring. Precise locking device for continuous feeding or latching mechanism.

## Item

Identification	Hose size	Height (mm)	Diameter (mm)	Hose length (m)
K- 07 10 06 28	Oxygen: 16.5 mm x 6 mm, Acetylene: 17 mm x 10 mm	360	320	15