

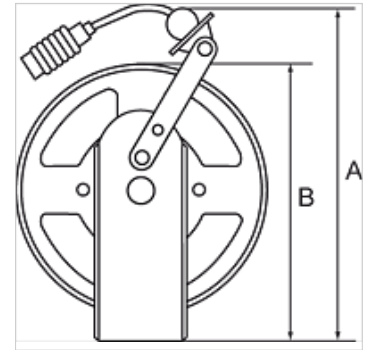
K-SCHL-AUFROLLER LU WA S

Hose reels for compressed air and water, heavy-duty type

HANSA FLEX

Properties

Hose material	Polyurethane
Operating pressure	Max. 10 bar
Operating temperature	-10 °C to +40 °C
Mounting	Wall, floor or ceiling
Inlet	Hose stem 8 mm



Note

Further information on request

Description

Heavy-duty steel design for industrial applications. Blue, powder-coated housing. An automatic latching mechanism allows the hose to be engaged at any length. Enclosed spring. Precise locking device for continuous feeding or latching mechanism. Reel guide prevents excessive wear on the hose.

Item

Identification	Hose size	A (mm)	B (mm)	Hose length (m)
K- 07 10 06 24	10 mm x 6,5 mm	420,0	353,0	10
K- 07 10 06 25	10 mm x 6,5 mm	420,0	353,0	20
K- 07 10 06 26	12 mm x 8 mm	420,0	353,0	15
K- 07 10 06 27	16 mm x 11 mm	420,0	353,0	15