

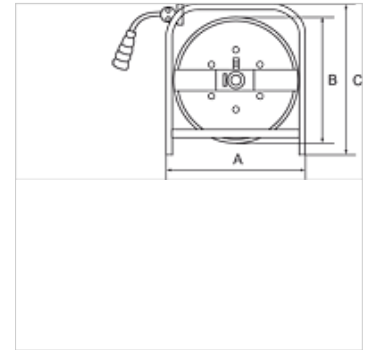
K-SCHL-AUFROLLER MOBIL

Hose reels for mobile applications

HANSA FLEX

Properties

Hose material	Polyurethane
Operating pressure	Max. 10 bar
Operating temperature	-10 °C to +40 °C
Inlet	Hose stem 8 mm
Connecting thread	Coupling G 3/8



Note

Further information on request

Description

Specially designed for mobile applications. This 50 m long polyurethane hose is mounted in a portable four-wheel cart made from blue anodised steel. An automatic latching mechanism allows the hose to be engaged at any length. Enclosed spring. Precise locking device for continuous feeding or latching mechanism. Reel guide prevents excessive wear on the hose.

Item

Identification	Hose size	A (mm)	B (mm)	C (mm)	Hose length (m)
K- 07 10 06 16	12 mm x 8 mm	452,0	400,0	460,0	50