

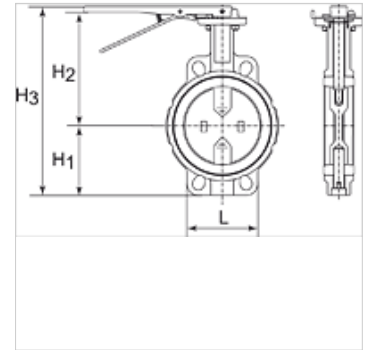
K-ZFL ABSP-KLAPPEN

Butterfly valves

HANSA FLEX

Properties

Operating pressure	Max. 16 bar
Operating temperature	-15 °C to +120 °C
Media	Water / steam, salt water, salt water, ester, ketone, alkali, caustic soda, sodium hydroxide. Not recommended for hydrocarbons
Temp. range	-20 °C to +120 °C
Housing	Grey cast iron GG25 epoxy resin coated, RAL 5015
Seal	EPDM
Shaft	SS416
Shaft seal	EPDM
Hand lever	GG25 epoxy resin coated



Note

Further information on request

Item							
Identification	Washer	DN	B (mm)	H1 (mm)	H2 (mm)	H3 (mm)	L (mm)
K- 07 30 03 45	Stainless Steel CF8M/1.4404	40	38,0	68,0	94,0	198,0	94,0
K- 07 30 03 46	Stainless Steel CF8M/1.4404	50	47,0	71,0	143,0	236,0	100,0
K- 07 30 03 47	Stainless Steel CF8M/1.4404	65	49,0	78,0	155,0	255,0	115,0
K- 07 30 03 48	Stainless Steel CF8M/1.4404	80	47,0	89,0	162,0	273,0	127,0
K- 07 30 03 49	Stainless Steel CF8M/1.4404	100	56,0	102,0	178,0	302,0	163,0
K- 07 30 03 50	Stainless Steel CF8M/1.4404	125	59,0	123,0	191,0	336,0	190,0
K- 07 30 03 51	Stainless Steel CF8M/1.4404	150	59,0	138,0	205,0	365,0	216,0