

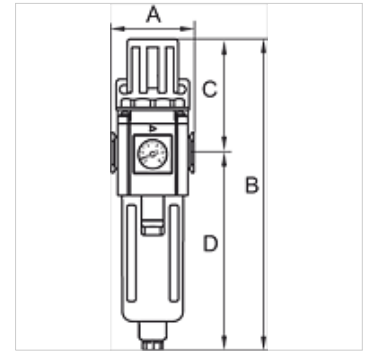
K-FI REGL PC-BEHAEALTER HW G-MINI

Filter regulators

HANSA FLEX

Properties

Input pressure	Max. 10 bar
Media temperature	max. 70 °C
Ambient temperature	Max. 70 °C
Pore size in filter element	5 µm
Sealant	NBR
Spring bonnet	POM
Housing	Die-cast aluminium
Drain valve	Semi-automatic
Flow rate measurement	At P1 = 8 bar, P2 = 6 bar and pressure drop Δp = 1 bar
More information	User manual on request



Item

Identification	Thread	Control range	Flow rate (L/min)	A (mm)	B	C (mm)	D (mm)	Size
K- 07 25 07 09	G 1/8	1.5 - 9 bar	1000	38,0	161,0 mm	68,0	93,0	200
K- 07 25 07 10	G 1/4	1.5 - 9 bar	1000	38,0	161,0 mm	68,0	93,0	200

Accessories

K-VERSCHLEI-SATZ	Set of wearing parts
K-ERSATZMEMBRANE	Replacement diaphragm
K-ADAPTERPLATTEN HANSA	Adapter plate HANSA
K-ERSATZBEHAELTER G UND G-MINI POLY	Spare tanks »G« Series and »G-minik« Series Polycarbonat
K-FILTERELEMENT	Filter element
K-HALTERBAUSATZ	Holder
K-VERBINDUNGELEMENTE	Connecting sets
K-WANDHALTER	Wall bracket