

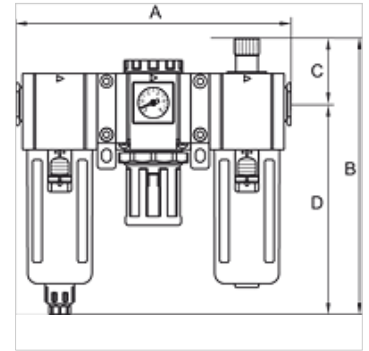
# K-WTEH 3-TLG MET SICHT WAND H G

Service units, 3-piece with metal bowl, sight glass and joiner for wall mounting, semi-automatic drain valve

**HANSA FLEX**

## Properties

<b>Input pressure</b>	Max. 10 bar
<b>Media temperature</b>	max. 70 °C
<b>Ambient temperature</b>	Max. 70 °C
<b>Pore size in filter element</b>	5 µm
<b>Sealant</b>	NBR
<b>Spring bonnet</b>	POM
<b>Housing</b>	Die-cast aluminium
<b>Dropper</b>	Brass/POM
<b>Drain valve</b>	Semi- or fully-automatic
<b>Flow rate measurement</b>	At P1 = 8 bar, P2 = 6 bar and pressure drop $\Delta p$ = 1 bar
<b>More information</b>	User manual on request



## Item

Identification	Thread	Control range	Flow rate (L/min)	A (mm)	B (mm)	C (mm)	D (mm)	Size
K- 07 25 14 31	G 3/4	1.5 - 9 bar	3750	295,0	280.5 mm	61,5	219,0	600
K- 07 25 14 33	G 1	1.5 - 9 bar	3750	295,0	280.5 mm	61,5	219,0	600

## Accessories

K-VERSCHLEI-SATZ	Set of wearing parts
K-ERSATZMEMBRANE	Replacement diaphragm
K-ADAPTERPLATTEN HANSA	Adapter plate HANSA
K-FILTERELEMENT	Filter element
K-ERSATZBEHAELTER G UND G-MINI POLY	Spare tanks »G« Series and »G-minik« Series Polycarbonat
K-VERBINDUNGELEMENTE	Connecting sets
K-WANDHALTER	Wall bracket