

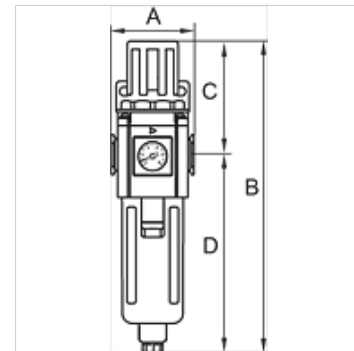
# K-FI REGL METALLBEHAE H HW G

Filter regulators with metal bowl, sight glass and »HW« mounting bracket, semi-automatic drain valve

**HANSA FLEX**

## Properties

|                                    |  |
|------------------------------------|--|
| <b>Input pressure</b>              | Max. 10 bar  |
| <b>Media temperature</b>           | max. 70 °C   |
| <b>Ambient temperature</b>         | Max. 70 °C   |
| <b>Pore size in filter element</b> | 5 µm   |
| <b>Sealant</b>                     | NBR  |
| <b>Spring bonnet</b>               | POM  |
| <b>Housing</b>                     | Die-cast aluminium   |
| <b>Drain valve</b>                 | Semi- or fully-automatic                                       |
| <b>Flow rate measurement</b>       | At P1 = 8 bar, P2 = 6 bar and pressure drop $\Delta p$ = 1 bar |
| <b>More information</b>            | User manual on request   |



## Item

| Identification | Thread | Control range | Flow rate (L/min) | A (mm) | B        | C (mm) | D (mm) | Size |
|----------------|--------|---------------|-------------------|--------|----------|--------|--------|------|
| K- 07 25 07 05 | G 3/4  | 1.5 - 9 bar   | 7000              | 85,0   | 363,0 mm | 144,0  | 219,0  | 600  |
| K- 07 25 07 07 | G 1    | 1.5 - 9 bar   | 7000              | 85,0   | 363,0 mm | 144,0  | 219,0  | 600  |

## Accessories

|                                     |   |
|-------------------------------------|---|
| K-VERSCHLEI-SATZ                    | Set of wearing parts                                    |
| K-ERSATZMEMBRANE                    | Replacement diaphragm                                   |
| K-ADAPTERPLATTEN HANSA              | Adapter plate HANSA                                     |
| K-ERSATZBEHAELTER G UND G-MINI POLY | Spare tanks »G« Series and »G-mini« Series Polycarbonat |
| K-FILTERELEMENT                     | Filter element  |
| K-HALTERBAUSATZ                     | Holder  |
| K-VERBINDUNGELEMENTE                | Connecting sets   |
| K-WANDHALTER                        | Wall bracket  |