

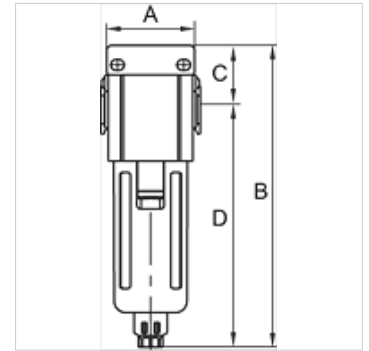
# K-FI METALLBEHAEL SICHT H G

Filters with metal bowl, sight glass and »HW« mounting bracket, semi-automatic drain valve

**HANSA FLEX**

## Properties

<b>Input pressure</b>	Max. 10 bar
<b>Media temperature</b>	max. 70 °C
<b>Ambient temperature</b>	Max. 70 °C
<b>Working pressure</b>	1.5 - 9 bar
<b>Pore size in filter element</b>	5 µm
<b>Sealant</b>	NBR
<b>Housing</b>	Die-cast aluminium
<b>Drain valve</b>	Semi- or fully-automatic
<b>Flow rate measurement</b>	At P1 = 8 bar, P2 = 6 bar and pressure drop $\Delta p$ = 1 bar
<b>More information</b>	User manual on request



## Item

Identification	Thread	Flow rate (L/min)	A (mm)	B	C (mm)	D (mm)	Size
K- 07 25 06 45	G 3/4	7800	85,0	256,0 mm	37,0	219,0	3
K- 07 25 06 47	G 1	7800	85,0	256,0 mm	37,0	219,0	3

## Accessories

<b>K-ERSATZBEHAELTER G UND G-MINI POLY</b>	Spare tanks »G« Series and »G-mini« Series Polycarbonat
<b>K-SCHUTZKORB G</b>	Protective cage
<b>K-FILTERELEMENT</b>	Filter element
<b>K-HALTERBAUSATZ</b>	Holder
<b>K-VERBINDUNGSELEMENTE</b>	Connecting sets
<b>K-WANDHALTER</b>	Wall bracket