

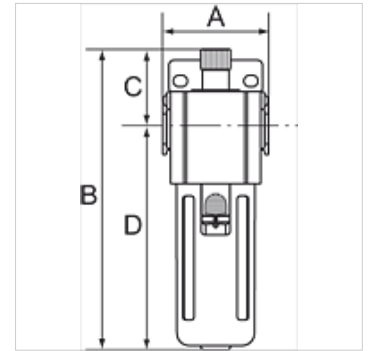
K-NEBELOELER PC-BEHÄLTER HW G

Oil-mist lubricators with polycarbonate bowl, bowl guard and »HW« mounting bracket

HANSA FLEX

Properties

Input pressure	Max. 10 bar
Media temperature	max. 70 °C
Ambient temperature	Max. 70 °C
Working pressure	0.5 - 9 bar
Sealant	NBR
Spring bonnet	POM
Housing	Die-cast aluminium
Dropper	Brass/POM
Flow rate measurement	At P1 = 8 bar, P2 = 6 bar and pressure drop Δp = 1 bar
More information	User manual on request



Item

Identification	Thread	Flow rate (L/min)	A (mm)	B	C (mm)	D (mm)	Size
K- 07 25 08 68	G 1/4	2200	51,0	169,0 mm	44,0	125,0	300
K- 07 25 08 69	G 3/8	2650	51,0	169,0 mm	44,0	125,0	300
K- 07 25 08 70	G 1/2	2650	51,0	169,0 mm	44,0	125,0	300
K- 07 25 08 71	G 3/8	7500	68,0	190,0 mm	48,0	142,0	400
K- 07 25 08 72	G 1/2	7500	68,0	190,0 mm	48,0	142,0	400

Accessories

K-ERSATZBEHÄLTER G UND G-MINI POLY	Spare tanks »G« Series and »G-mini« Series Polycarbonat
K-HALTERBAUSATZ	Holder
K-VERBINDUNGSELEMENTE	Connecting sets
K-WANDHALTER	Wall bracket