

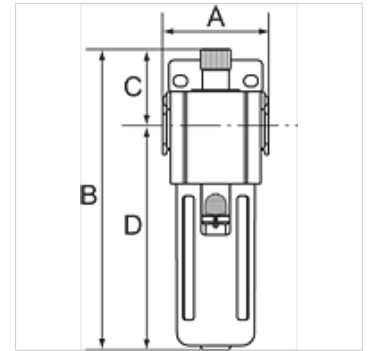
# K-NEBELOELER METALLBEHAE HW G

Oil-mist lubricators with metal bowl, sight glass and »HW« mounting bracket

**HANSA FLEX**

## Properties

<b>Input pressure</b>	Max. 10 bar
<b>Media temperature</b>	max. 70 °C
<b>Ambient temperature</b>	Max. 70 °C
<b>Working pressure</b>	0.5 - 9 bar
<b>Sealant</b>	NBR
<b>Spring bonnet</b>	POM
<b>Housing</b>	Die-cast aluminium
<b>Dropper</b>	Brass/POM
<b>Flow rate measurement</b>	At P1 = 8 bar, P2 = 6 bar and pressure drop $\Delta p = 1$ bar
<b>More information</b>	User manual on request



## Item

Identification	Thread	Flow rate (L/min)	A (mm)	B	C (mm)	D (mm)	Size
K- 07 25 08 73	G 3/4	10650	85,0	256,0 mm	61,5	194,5	600
K- 07 25 08 74	G 1	10650	85,0	256,0 mm	61,5	194,5	600

## Accessories

K-ERSATZBEHAELTER G UND G-MINI POLY	Spare tanks »G« Series and »G-mini« Series Polycarbonat
K-HALTERBAUSATZ	Holder
K-VERBINDUNGSELEMENTE	Connecting sets
K-WANDHALTER	Wall bracket