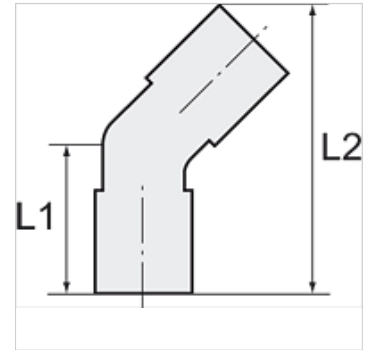


K-STECKVERSCHR 45° DRE AG-K

45° union elbows, swivel type, conical male thread, coated

Properties

Working pressure	Max. 15 bar, coarse vacuum
Application	Air, vacuum
Recommended hoses	PU or PA (nylon)
Media	Compressed air and all gases or liquids that are compatible with the materials
Temp. range	-20 °C to +80 °C
Sealing surface	Conical version: thread coating
Material	Plastic, Nickel plated brass
Contact pressure ring	Plastic



Note

Further information on request

Description

Push-in fittings series manufactured in plastic and nickel-plated brass. All parts are suitable for use with hoses, tubes or pipes made of plastic and copper.

Item

Identification	Thread	for external hose Ø	L1 (mm)	L2 (mm)	AF
K- 07 40 04 81	R 1/8	4 mm	22,7	38,5	10 mm
K- 07 40 04 82	R 1/8	6 mm	24,4	42,0	12 mm
K- 07 40 04 83	R 1/8	8 mm	27,6	48,0	14 mm
K- 07 40 04 80	R 1/8	10 mm	30,2	53,6	17 mm
K- 07 40 04 77	R 1/4	4 mm	25,7	41,5	14 mm
K- 07 40 04 78	R 1/4	6 mm	26,9	44,5	14 mm
K- 07 40 04 79	R 1/4	8 mm	29,6	50,0	14 mm
K- 07 40 04 75	R 1/4	10 mm	32,2	55,6	17 mm
K- 07 40 04 76	R 1/4	12 mm	35,2	61,9	21 mm
K- 07 40 04 86	R 3/8	6 mm	28,4	46,0	17 mm
K- 07 40 04 87	R 3/8	8 mm	31,1	51,5	17 mm
K- 07 40 04 84	R 3/8	10 mm	33,2	56,6	17 mm
K- 07 40 04 85	R 3/8	12 mm	36,2	62,9	21 mm
K- 07 40 04 73	R 1/2	6 mm	31,9	49,5	21 mm
K- 07 40 04 74	R 1/2	8 mm	34,6	55,0	21 mm
K- 07 40 04 71	R 1/2	10 mm	36,7	60,1	21 mm
K- 07 40 04 72	R 1/2	12 mm	39,2	65,9	21 mm