

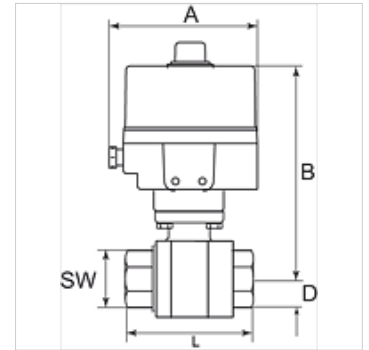
# K-BKR ELK 24 VDC MS

Brass ball valves with electric actuator 24 VDC

**HANSA FLEX**

## Properties

<b>Operating pressure</b>	DN 15 - DN 32: max. 40 bar; DN 40 - DN 50: max. 25 bar
<b>Operating temperature</b>	-20 °C to +70 °C
<b>Duty cycle</b>	ED 30 %
<b>Relative humidity</b>	30 % to 95 %
<b>Valve positions</b>	Manually operated
<b>protection class</b>	IP 67
<b>Actuating time</b>	13 sec. = 230 VAC, 50 Hz 15 sec. = 24 VDC
<b>Ambient temperature</b>	-30 °C to +70 °C
<b>Mounting flange</b>	ISO 5211
<b>Housing</b>	Aluminium, powder-coated
<b>Ball valve</b>	brass nickel plated
<b>Ball, operating shaft</b>	Chrome-plated brass
<b>Ball seals</b>	PTFE, glass fibre-reinforced
<b>Selector shaft seal</b>	FKM



## Note

Further information on request

## Description

Voltage range 230 VAC, 50 Hz or 24 VDC. 2-way cock, full bore, for neutral gases and liquids. <br>Reversible electric rotary actuator.

## Item

Identification	DN	Thread	A (mm)	B (mm)	D (mm)	L (mm)	AF (mm)
K- 07 30 20 76	15	Rp 1/2	152,0	189,0	17,0	75,0	26
K- 07 30 20 77	20	Rp 3/4	152,0	192,0	20,0	80,0	32
K- 07 30 20 78	25	Rp 1	152,0	195,0	25,0	90,0	41
K- 07 30 20 79	32	Rp 1 1/4	152,0	206,0	30,0	110,0	50
K- 07 30 20 80	40	Rp 1 1/2	152,0	213,0	36,0	120,0	55
K- 07 30 20 81	50	Rp 2	152,0	224,0	45,0	140,0	70