

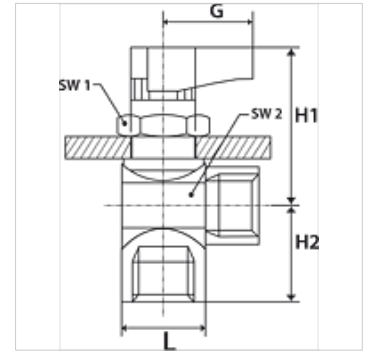
K-W90BK MINI

angle mini ball valves

HANSA FLEX

Properties

Application	Compressed air, water, oil
Operating pressure	-0,99 bar - 20 bar
Operating temperature	-20 °C to +80 °C
Thread description	G thread acc. DIN EN ISO 228-1
Housing and ball	Chrome-plated brass
Hand lever	PA 66 glass fibre-reinforced
Ball seals	PTFE
Stem seal	NBR



Note

Further information on request

Item

Identification	DN	Thread	G (mm)	H1 (mm)	H2 (mm)	L (mm)	AF1 (mm)	AF2 (mm)
K- 07 30 29 84	5	G 1/8 female	19,00	33,5	15,5	28,5	17	17
K- 07 30 29 85	5	G 1/4 female	19,00	33,5	17,5	28,5	17	17
K- 07 30 29 86	7	G 3/8 female	19,00	35,0	19,5	31,0	17	21