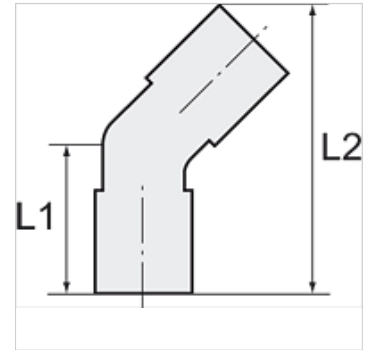


# K-STECKVERSCHR 45° DRE AG OR

45° union elbows, swivel type, parallel male thread with O-ring

## Properties

<b>Working pressure</b>	Max. 15 bar, coarse vacuum
<b>Application</b>	Air, vacuum
<b>Recommended hoses</b>	PU or PA (nylon)
<b>Media</b>	Compressed air and all gases or liquids that are compatible with the materials
<b>Temp. range</b>	-20 °C to +80 °C
<b>Sealing surface</b>	Parallel version: O-ring in housing
<b>Material</b>	Plastic, Nickel plated brass
<b>Contact pressure ring</b>	Plastic



## Note

Further information on request

## Description

Push-in fittings series manufactured in plastic and nickel-plated brass. All parts are suitable for use with hoses, tubes or pipes made of plastic and copper.

## Item

Identification	Thread	for external hose Ø	L1 (mm)	L2 (mm)	AF
K- 07 40 05 47	M 5	4 mm	20,2	34,7	10 mm
K- 07 40 05 48	M 5	6 mm	21,9	36,1	12 mm
K- 07 40 05 59	G 1/8	4 mm	23,2	39,0	12 mm
K- 07 40 05 60	G 1/8	6 mm	24,4	42,0	14 mm
K- 07 40 05 61	G 1/8	8 mm	27,1	47,5	14 mm
K- 07 40 05 58	G 1/8	10 mm	29,7	53,1	17 mm
K- 07 40 05 55	G 1/4	4 mm	24,7	40,5	12 mm
K- 07 40 05 56	G 1/4	6 mm	25,9	43,5	14 mm
K- 07 40 05 57	G 1/4	8 mm	28,6	49,0	17 mm
K- 07 40 05 53	G 1/4	10 mm	30,7	54,1	17 mm
K- 07 40 05 54	G 1/4	12 mm	32,8	60,4	21 mm
K- 07 40 05 64	G 3/8	6 mm	26,2	45,0	14 mm
K- 07 40 05 65	G 3/8	8 mm	30,1	50,5	20 mm
K- 07 40 05 62	G 3/8	10 mm	32,2	55,6	20 mm
K- 07 40 05 63	G 3/8	12 mm	33,8	61,4	21 mm
K- 07 40 05 51	G 1/2	6 mm	30,9	48,5	14 mm
K- 07 40 05 52	G 1/2	8 mm	33,6	54,0	24 mm
K- 07 40 05 49	G 1/2	10 mm	35,7	59,1	19 mm
K- 07 40 05 50	G 1/2	12 mm	37,3	64,9	24 mm