

K-T-STUECKE IG

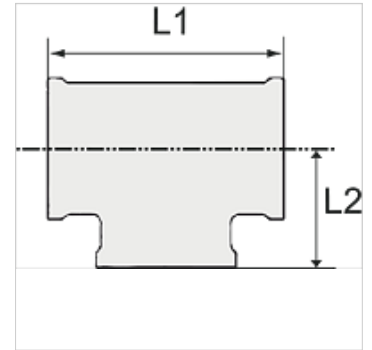
Tees, 3 x female thread

HANSA FLEX

Properties

Operating pressure Max. 10 bar

Operating temperature Max. 90 °C



Note

Further information on request

Item

Identification	Thread	L1 (mm)	L2 (mm)
K- 07 40 45 68	G 1/8	35,0	17,5
K- 07 40 45 69	G 1/4	35,0	17,5
K- 07 40 45 70	G 3/8	43,0	21,5
K- 07 40 45 71	G 1/2	50,0	25,0
K- 07 40 45 72	G 3/4	60,0	30,0
K- 07 40 45 73	G 1	66,0	33,0
K- 07 40 45 74	G 1 1/4	90,0	45,0
K- 07 40 45 75	G 1 1/2	96,0	48,0
K- 07 40 45 76	G 2	120,0	60,0