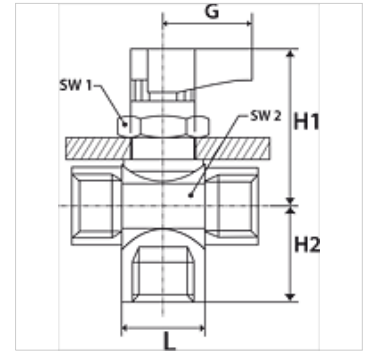


# K-3 BKR MINI T

## 3-way mini ball valves, T-Bore

### Properties

<b>Application</b>	Compressed air, water, oil
<b>Operating pressure</b>	-0,99 bar - 20 bar
<b>Operating temperature</b>	-20 °C to +80 °C
<b>Thread description</b>	G thread acc. DIN EN ISO 228-1
<b>Housing and ball</b>	Chrome-plated brass
<b>Hand lever</b>	PA 66 glass fibre-reinforced
<b>Ball seals</b>	PTFE
<b>Stem seal</b>	NBR



### Note

Further information on request

### Item

Identification	DN	Thread	G (mm)	H1 (mm)	H2 (mm)	L (mm)	AF1 (mm)	AF2 (mm)
K- 07 30 29 90	5	G 1/8 female	19,00	33,5	15,5	35,0	17	17
K- 07 30 29 91	5	G 1/4 female	19,00	33,5	17,5	37,0	17	17
K- 07 30 29 92	7	G 3/8 female	19,00	35,0	19,5	42,0	17	21