

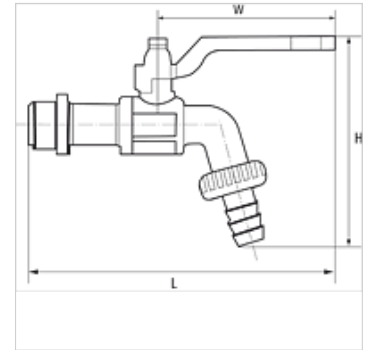
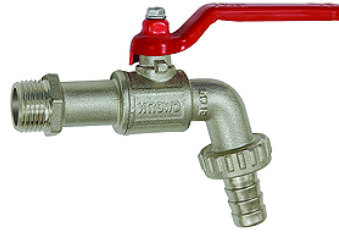
K-KUGELAUSLAUFHAEHNE MS NI

Bibcocks - Nickel-plated brass

HANSA FLEX

Properties

Application	Water, gaseous and non-corrosive media, compressed air
Operating pressure	15 bar (12 bar at G 1)
Temp. range	-20 °C to +80 °C
Seal	Teflon/NBR
Housing	Nickel-plated brass
Material	sealing: Teflon/NBR



Note

Further information on request

Description

With hose connector, thread acc. to ISO 228-1.

Item

Identification	DN	Connection	PN (bar)	H (mm)	L (mm)	W (mm)
K- 07 30 30 33	10	G 3/8 male	15	93,0	135,0	80,0
K- 07 30 30 29	15	G 1/2 male	15	93,0	137,0	80,0
K- 07 30 30 31	20	G 3/4 male	15	109,0	148,5	88,5
K- 07 30 30 27	25	G 1 male	12	126,0	158,0	88,5