

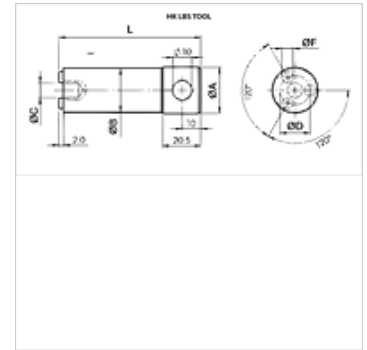
HK LBS TOOL

Tool for line break safety valves

HANSA FLEX

Properties

Surface	galvanised
use	for valve type HK V1 601
Material	Steel



Note

For applications with greater shocks and vibration the valve must be secured with Loctite when screwing.

Description

With this tool line break safety valves can be screwed into the corresponding housing.

Item

Identification	L (mm)	Ø A (mm)	Ø B (mm)	Ø C (mm)	Ø D (mm)	Ø F (mm)	Weight (kg)
HK LBS TOOL 1/4	68,0	15,9	11,5	6,3	8,0	2,35	0,06
HK LBS TOOL 3/8	68,0	15,9	14,8	6,3	10,0	3,25	0,08
HK LBS TOOL 1/2	76,0	24,9	18,7	8,0	11,9	4,35	0,17
HK LBS TOOL 3/4	76,0	24,9	23,5	8,0	16,0	5,95	0,25

Accessory for following products

HK V1 601	Line break safety valve without housing
-----------	---